

TEV RANGE

TEV-385/585/765/985

TEV (**T**he **E**nergy saving **V**entilator) is an extraction fan that is designed to remove welding fumes and other harmful fumes such as dust, oil mist and vehicle exhaust gases.

The TEV fan is intended and designed for mounting to a central extraction system.



APPLICATIONS

The TEV is intended to be used for the following applications:

- MIG-MAG/GMAW welding
- TIG welding
- FCAW welding
- stick/MMAW welding
- vehicle exhaust extraction systems



Do **not** use the TEV for the following applications or in the following circumstances:

- aluminium laser cutting
- extraction of aggressive fumes and gases (e.g. from acids, alkaline, or soldering paste containing lithium)
- extraction of hot gases (more than 80°C/176°F continuously)
- grinding aluminium and magnesium
- flame spraying
- extraction of cement, saw dust, wood dust, etc.
- explosive environments or explosive substances/gases



SPECIFICATIONS

Physical dimensions and properties

Material:	
• fan	aluminium
• housing	sheet metal
Colour:	
• motor	black (RAL 9005)
• housing	grey (RAL 7035)
Motor design	IEC 60072
Discharge position	rotatable 90°
Fan type	radial
Design conditions	20°C (68°F) at sea level
Max. airflow temperature	80°C (176°F)
Performance	
Speed	2800 rpm
Electrical data	
Max. start/stops per hour	30
Insulation class	F
Protection class	IP 55

Ambient conditions

Operating temperature:	
• min.	5°C (41°F)
• nom.	20°C (68°F)
• max.	40°C (104°F)
Max. relative humidity	80%
Outdoor use allowed	yes - protection against precipitation is recommended and obligatory in coastal areas
Storage conditions	5-40°C (41-104°F) relative humidity max. 80%

Product combinations

Vehicle exhaust extraction systems	all systems
Filter units	all systems
Fume extraction systems	all systems
Control equipment	all systems

Scope of supply

Extraction fan

Order information

Number/package	1
----------------	---

Shipping data



Harmonized Tariff Code	8414.5940.90
Country of origin	the Netherlands

See table 1: for dimensions.

See table 2: for remaining specifications, options and accessories.

See page 4: for fan curves.

APPROVALS/CERTIFICATES

	
	Directive 2011/65/EC (RoHS) valid as of 8 June 2011

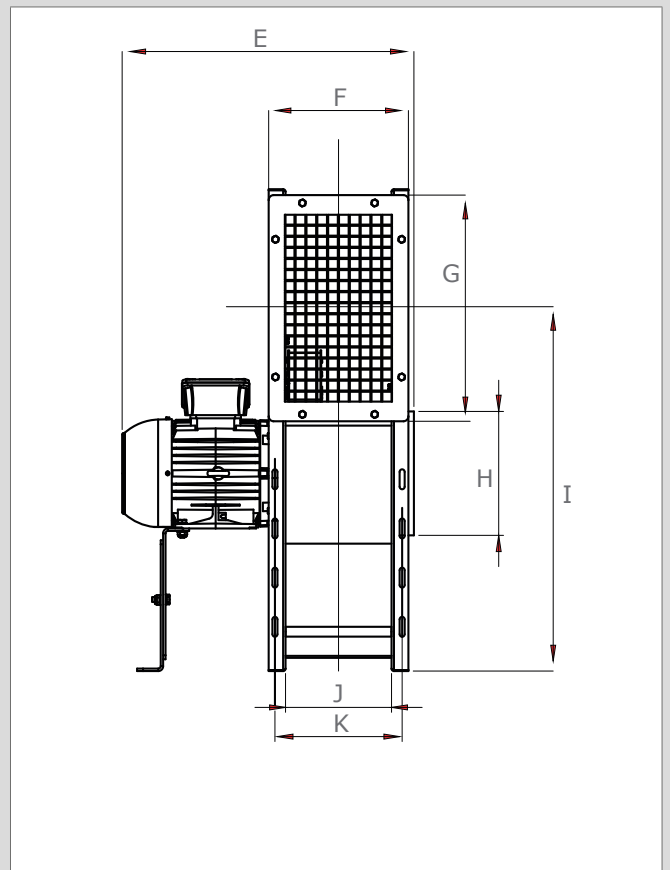
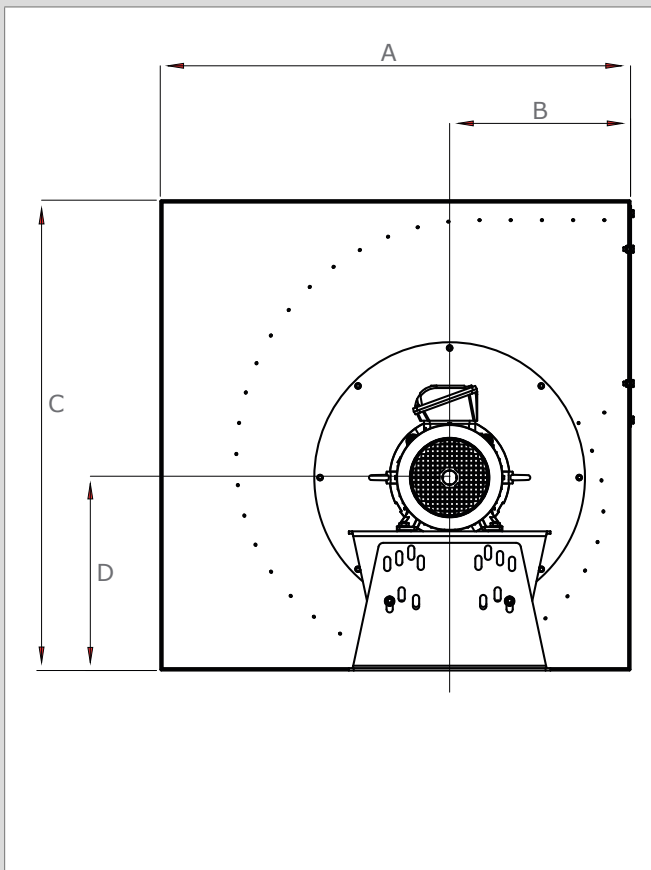


Table 1: Dimensions

	TEV-385		TEV-585		TEV-765		TEV-985	
	mm	inch	mm	inch	mm	inch	mm	inch
A	640	25.2	783	30.8	980	38.6	1100	43.3
B	285	11.2	339	13.4	377	14.8	479	18.9
C	640	25.2	783	30.8	980	38.6	1100	43.3
D	267	10.5	310	12.2	402	15.8	447	17.6
E	446	17.6	532	20.9	606	23.9	673	26.5
F	230	9.1	270	10.6	290	11.4	320	12.6
G	312	12.3	380	15.0	460	18.1	508	20.0
H	Ø 162	Ø 6.4	Ø 200	Ø 7.9	Ø 252	Ø 9.9	Ø 317	Ø 12.5
I	477	18.8	602	23.7	741	29.2	829	32.6
J	160	6.3	200	7.9	220	8.7	250	9.8
K	204	8.1	244	9.6	264	10.4	294	11.6
Fan wheel (not shown) - diameter - width	Ø 315 85	Ø 12.4 3.4	Ø 400 85	Ø 15.8 3.4	Ø 500 65	Ø 19.7 2.6	Ø 560 85	Ø 22.1 3.4

Product type
Article no.
Product category
Version

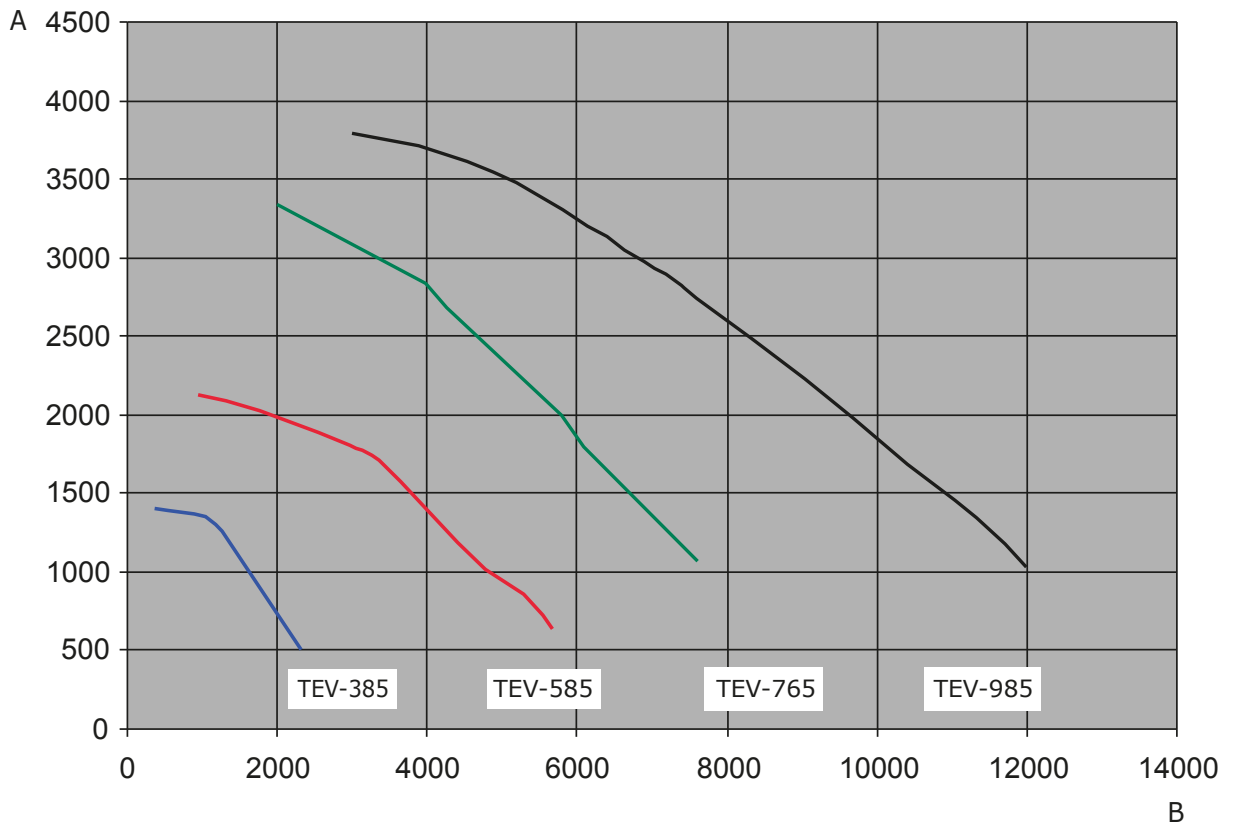
TEV range
see order information
extraction fan
290113/D

Always check the latest version on www.plymovent.com.

Table 2: Remaining specifications, options and accessories

Features	TEV-385	TEV-585	TEV-765	TEV-985
Article number	0000100324	0000100325	0000100326	0000100327
■ Weight				
Net weight	32 kg (71 lbs)	51 kg (112 lbs)	71 kg (157 lbs)	81 kg (179 lbs)
■ Electrical data				
Connection voltage	230-400V/3~/50Hz	230-400V/3~/50Hz	230-400V/3~/50Hz	400-690V/3~/50Hz
Power	0,75 kW (1 HP)	2,2 kW (3 HP)	4 kW (5 HP)	7,5 kW (10 HP)
Nominal current				
- 230V	3,02 A	7,98 A	13,32 A	-
- 400V	1,7 A	4,61 A	7,69 A	14,1 A
- 690V	-	-	-	8,2 A
■ Performance				
Noise level dB(A)	80	86	87	96
■ Options and accessories				
<i>Fan on/off manually (wall)</i> Motor starter: - motor protection switch 230V/3~/50Hz - motor protection switch 400V/3~/50Hz - motor protection switch 400-690V/3~/50Hz	MPS-2.5-4.0 A MPS-1.6-2.5 A -	MPS-6.3-10.0 A MPS-4.0-6.3 A -	MPS-10.0-16.0 A MPS-6.3-10.0 A -	- MPS-10.0-16.0 A MPS-6.3-10.0 A
<i>Fan on/off manually (hood of extraction arm)</i> - starter for fan and working light - thermal relay 230V/3~/50Hz - thermal relay 400V/3~/50Hz	SA-24-75 MS-2.3/3.2 MS-1.4/2.0	SA-24-75 MS-7.2/10 MS-4.5/6.3	SA-24-75 - MS-7.2/10	-
<i>Fan on/off automatically (inductive sensor)</i> - starter for fan and working light - thermal relay 230V/3~/50Hz - thermal relay 400V/3~/50Hz	ES-90-005 MS-2.3/3.2 MS-1.4/2.0	ES-90-005 MS-7.2/10 MS-4.5/6.3	ES-90-005 - MS-7.2/10	-
<i>Fan on/off automatically (light sensor)</i> - starter for fan and working light - light sensor - thermal relay 230V/3~/50Hz - thermal relay 400V/3~/50Hz	ES-90-005 LS-12 MS-2.3/3.2 MS-1.4/2.0	ES-90-005 LS-12 MS-7.2/10 MS-4.5/6.3	ES-90-005 LS-12 - MS-7.2/10	-
Outlet transition from rectangular to round	TOL-250	TOL-315	TOL-400	TOL-500
Soft connection for noise and vibration free connection to duct - inlet - outlet	SC-160 SC-250	SC-200 SC-315	SC-250 SC-400	SC-315 SC-500
Vibration dampers to isolate noise and vibration in sensitive environments.	TEV-AV/35	TEV-AV/35	TEV-AV/79	TEV-AV/79
■ Shipping data				
Gross weight	41 kg (90 lbs)	60 kg (132 lbs)	95 kg (209 lbs)	105 kg (231 lbs)
Packing dimensions	860 x 750 x 630 mm (34 x 30 x 25 in.)	860 x 750 x 825 mm (34 x 30 x 33 in.)	1200 x 800 x 1150 mm (47 x 32 x 45 in.)	1200 x 800 x 1150 mm (47 x 32 x 45 in.)

FAN CURVES



A = Static pressure (Pa)
B = Airflow (m³/h)